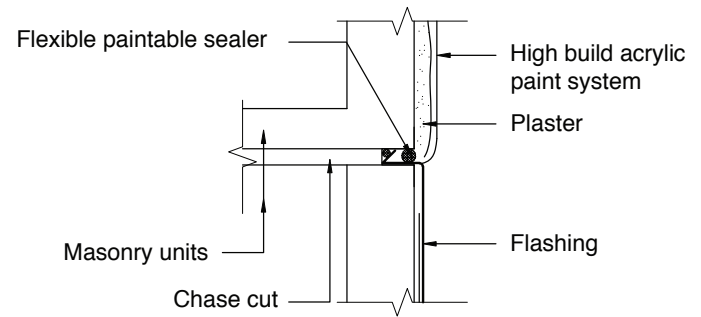


Parapet Wall Detail



Flashing Detail

- Note:
- Reinforcement not shown for clarity.
 - Bolt details as per NZS4229



Firth HotBloc®
Cross-section Wall To Roof Junction

For Technical Advice: Ph. 0800 800 576

403_cross-section.dwg

Disclaimer: This information is intended solely as a guide for use of Firth products. Before using a Firth product you should ensure that the product is suitable for use in the specific application. Nothing in this information constitutes a statement of fitness for particular purpose - appropriate expert advice should always be obtained. Firth makes no warranty regarding the use of this information with non-Firth product.

© 2009 . The copyright of this document is the property of Firth and shall not be reproduced, copied, loaned or disposed of directly, or indirectly, nor used for any purpose other than that for which it is specifically furnished without prior consent.

www.firth.co.nz
Scale 1:10
February 2009

403