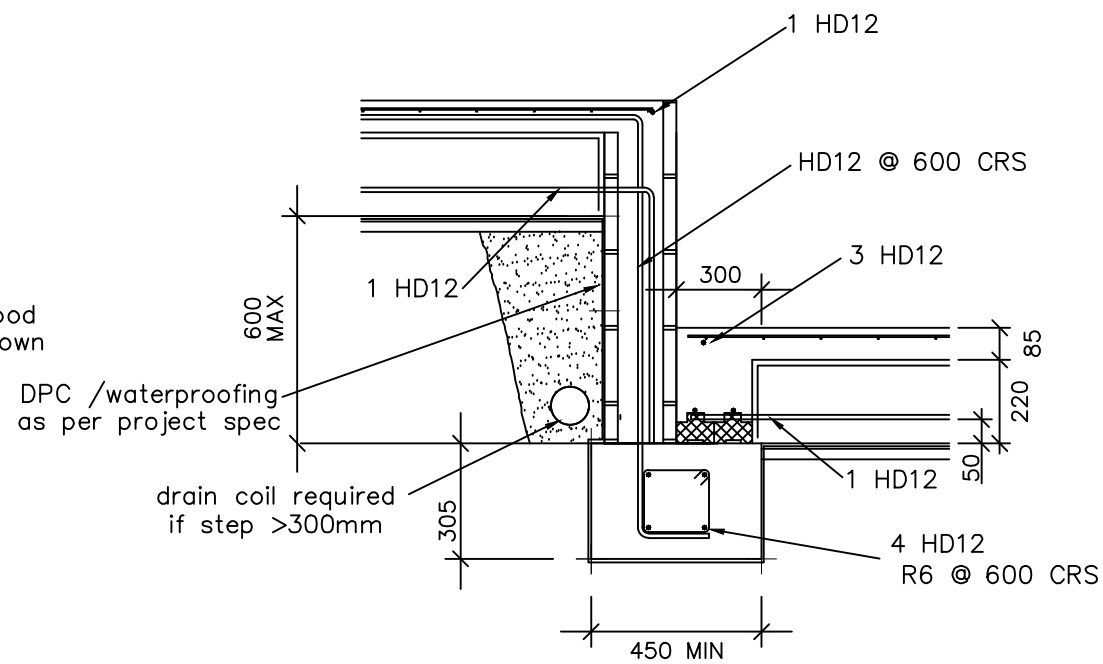
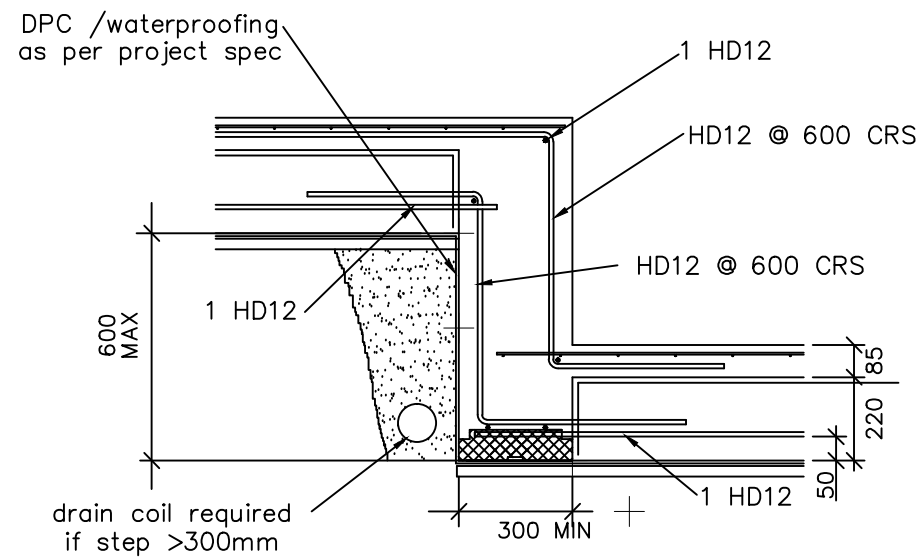


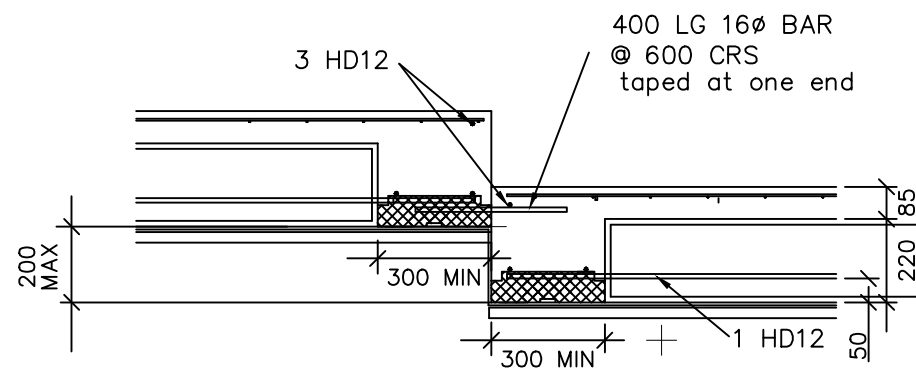
7
S2
SET-DOWN DETAIL
FOR STEP LESS
THAN 100mm
1:20



8
S2
SET-DOWN DETAIL
IN MASONRY
FOR STEP LESS
THAN 600mm
1:20



9
S2
SET-DOWN DETAIL
IN CONCRETE
FOR STEP LESS
THAN 600mm
1:20



10
S2
SET-DOWN DETAIL
FOR STEP LESS
THAN 200mm
FOR SEPARATELY
POURED SLABS
1:20

NOTE

REFER FIRTH RIBRAFT TECHNICAL MANUAL
JAN 2012 FOR FURTHER BEARING REQ

NOTES:

JOB TITLE:

SHEET TITLE:

STEP
DETAILS

DESIGNED:

DRAWN:

CHECKED:

CAD DWG.:

SCALES:

DATE:

DWG NO.

S4